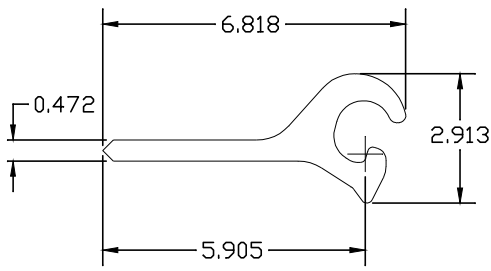
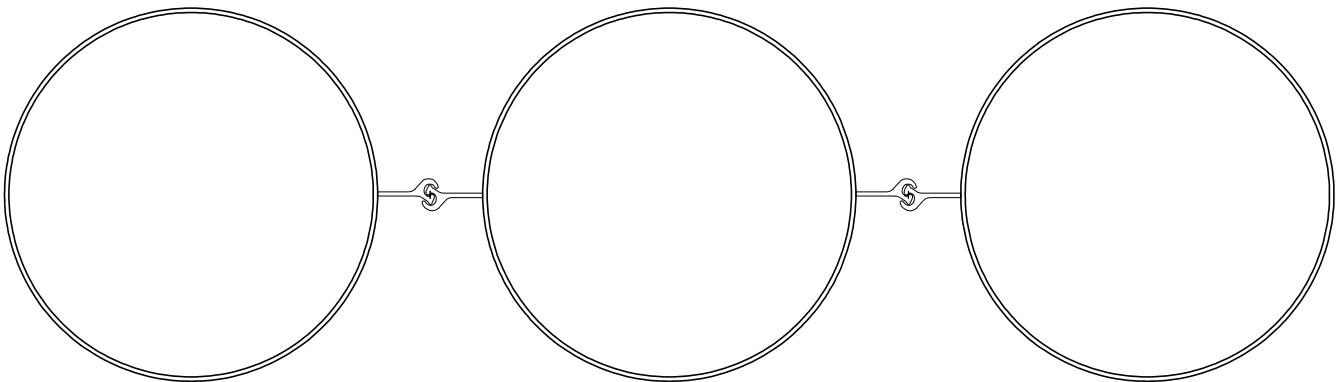
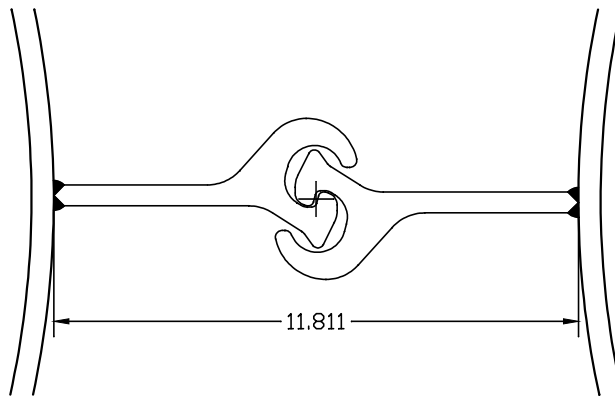
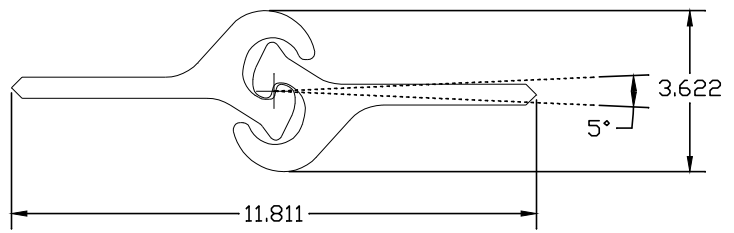


FKK300-12



FKK300-12 + FKK300-12



FKK300-12 clutch bar

Applications - pipe sheet pile walls
Steel grade S355
Length on request
Length tolerance +/- 7.9"
Thickness 0.47"
Weight 18.4 lbs/ft