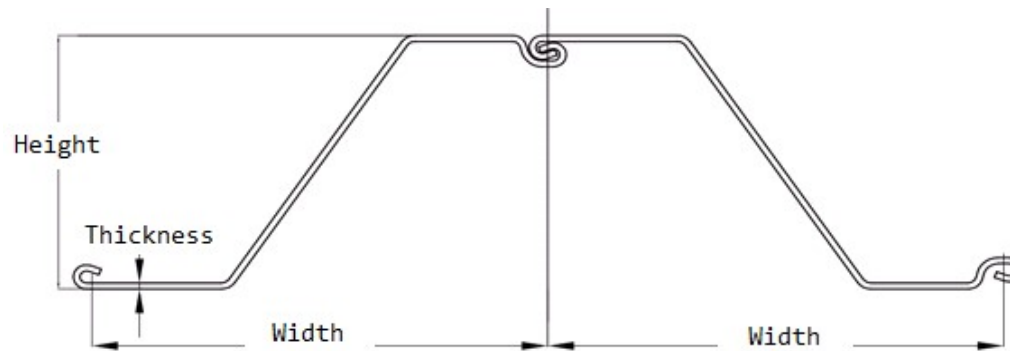




SLZ 12-770 (Cold rolled sheet piles)



| Section description | Product group | Shape | Section Modulus | Moment of Inertia | Width | Height | Thickness | | Weight single | Weight | Coating 2 sides | Coating area |
|---------------------|-------------------------|-------|---|---|------------|------------|------------|------------|---------------|--------|-----------------|--------------|
| | | | in ³ /ft cm ³ /m | in ⁴ /ft cm ⁴ /m | inch mm | inch mm | inch mm | inch mm | | | | |
| SLZ 12-770 | Cold rolled sheet piles | Z | 24.2 | 164.1 | 30.31 | 13.54 | 0.335 | 0.335 | 48.8 | 19.31 | 6.76 | 1.34 |
| | | | 1,302 | 22,413 | 770 | 344 | 8.5 | 8.5 | 72.60 | 28.73 | 2.07 | 1.34 |

Production acc. ASTM standards or EN10249 1&2 in varies steel grades

Origin: USA

Datasheet for estimation and comparison purposes

Exclusive by Meever USA