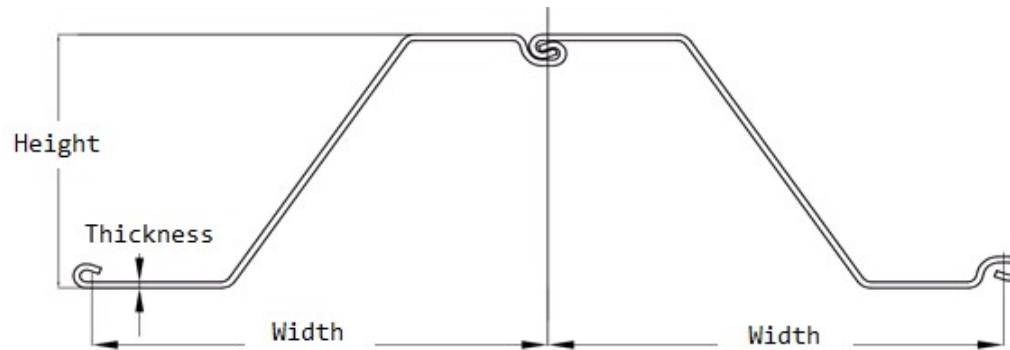




## SLZ 24-700 (Cold rolled sheet piles)



Section description	Product group	Shape	Section Modulus	Moment of Inertia	Width	Height	Thickness		Weight single	Weight	Coating 2 sides	Coating area
			in <sup>3</sup> /ft cm <sup>3</sup> /m	in <sup>4</sup> /ft cm <sup>4</sup> /m	inch mm	inch mm	inch mm	inch mm				
SLZ 24-700	Cold rolled sheet piles	Z	45.8	486.6	27.56	21.26	0.375	0.375	57.9	25.20	7.18	1.57
			2,460	66,446	700	540	9.5	9.5	86.10	37.50	2.19	1.57

Production acc. ASTM standards or EN10249 1&2 in varies steel grades

Origin: USA

Datasheet for estimation and comparison purposes

Exclusive by Meever USA