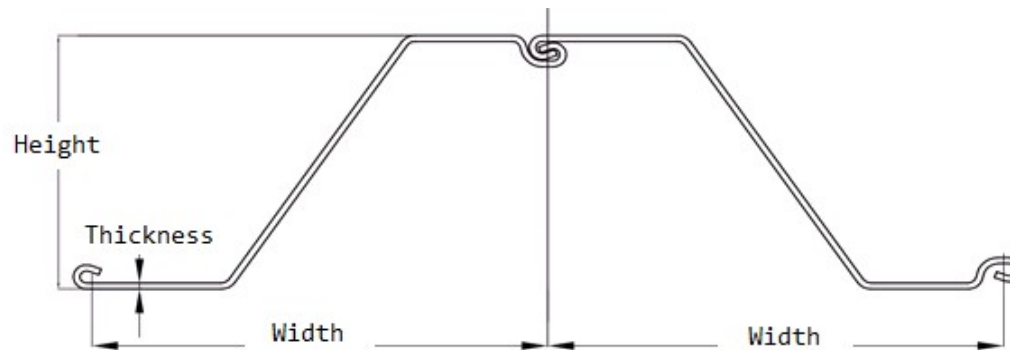




SLZ 33-800 (Cold rolled sheet piles)



Section description	Product group	Shape	Section Modulus	Moment of Inertia	Width	Height	Thickness		Weight single	Weight	Coating 2 sides	Coating area
			in ³ /ft cm ³ /m	in ⁴ /ft cm ⁴ /m	inch mm	inch mm	inch mm	inch mm				
SLZ 33-800	Cold rolled sheet piles	Z	60.8	754.5	31.50	24.80	0.433	0.433	76.9	29.29	8.24	1.57
			3,270	103,038	800	630	11.0	11.0	114.40	43.58	2.52	1.57

Production acc. ASTM standards or EN10249 1&2 in varies steel grades

Origin: USA

Datasheet for estimation and comparison purposes

Exclusive by Meever USA