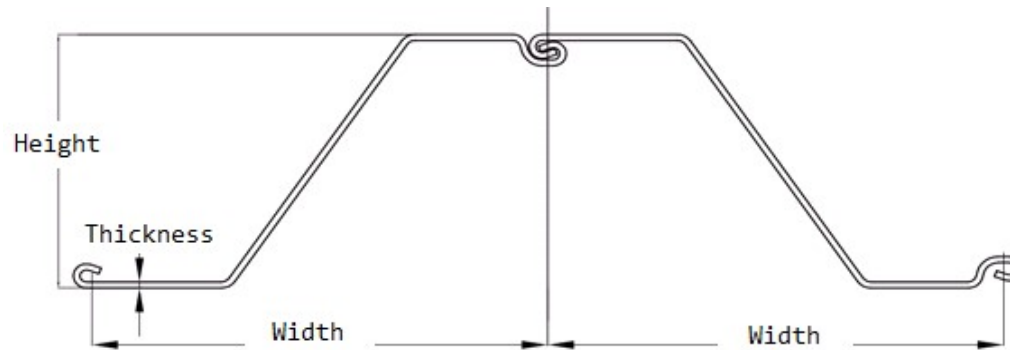




SLZ 35-800a (Cold rolled sheet piles)



Section description	Product group	Shape	Section Modulus	Moment of Inertia	Width	Height	Thickness		Weight single	Weight	Coating 2 sides	Coating area
			in ³ /ft cm ³ /m	in ⁴ /ft cm ⁴ /m	inch mm	inch mm	inch mm	inch mm				
SLZ 35-800a	Cold rolled sheet piles	Z	65.5	773.7	31.50	23.62	0.472	0.472	84.5	32.19	8.30	1.58
			3,521	105,656	800	600	12.0	12.0	125.71	47.90	2.54	1.58

Production acc. ASTM standards or EN10249 1&2 in varies steel grades

Origin: USA

Datasheet for estimation and comparison purposes

Exclusive by Meever USA