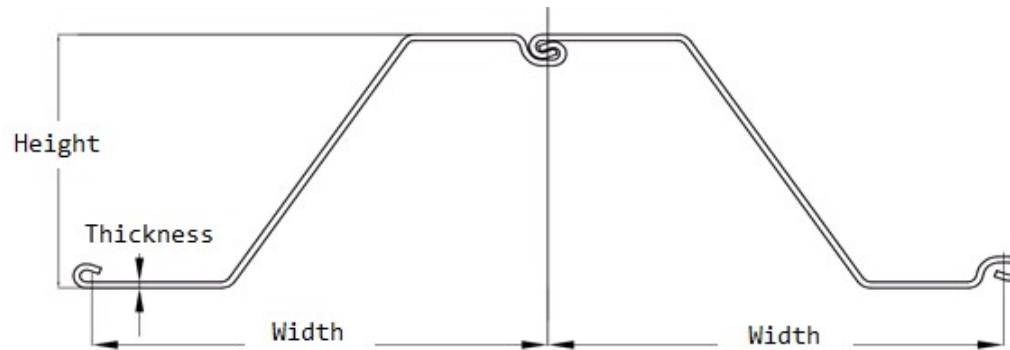




## SLZ 6-850 (Cold rolled sheet piles)



Section description	Product group	Shape	Section Modulus	Moment of Inertia	Width	Height	Thickness		Weight single	Weight	Coating 2 sides	Coating area
			in <sup>3</sup> /ft cm <sup>3</sup> /m	in <sup>4</sup> /ft cm <sup>4</sup> /m	inch mm	inch mm	inch mm	inch mm				
SLZ 6-850	Cold rolled sheet piles	Z	12.5	84.3	33.46	13.39	0.197	0.197	28.8	10.31	6.78	1.22
			674	11,510	850	340	5.0	5.0	42.79	15.34	2.07	1.22

Production acc. ASTM standards or EN10249 1&2 in varies steel grades

Origin: USA

Datasheet for estimation and comparison purposes

Exclusive by Meever USA