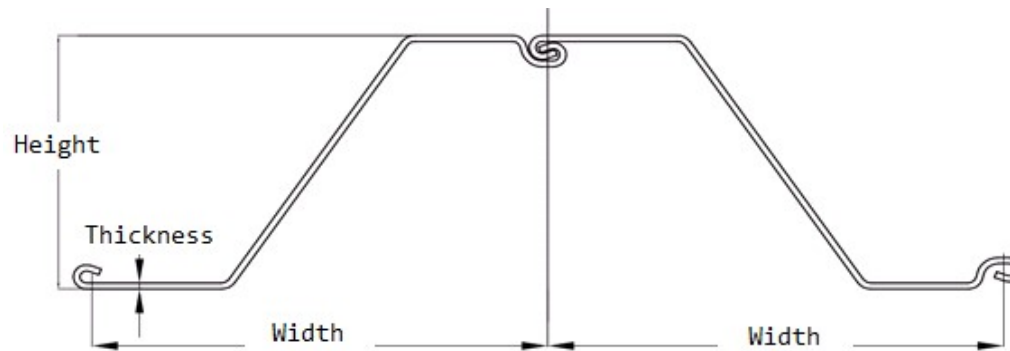




SLZ 7-725 (Cold rolled sheet piles)



Section description	Product group	Shape	Section Modulus	Moment of Inertia	Width	Height	Thickness		Weight single	Weight	Coating 2 sides	Coating area
			in ³ /ft cm ³ /m	in ⁴ /ft cm ⁴ /m	inch mm	inch mm	inch mm	inch mm				
SLZ 7-725	Cold rolled sheet piles	Z	12.4	73.4	28.54	11.81	0.236	0.236	30.2	12.71	5.94	1.25
			667	10,019	725	300	6.0	6.0	45.00	18.91	1.82	1.25

Production acc. ASTM standards or EN10249 1&2 in varies steel grades

Origin: USA

Datasheet for estimation and comparison purposes

Exclusive by Meever USA