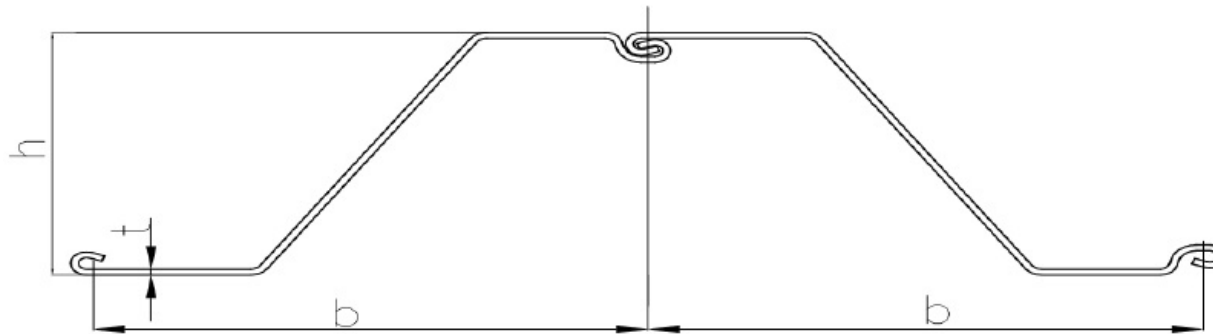




## SCZ 17N (Cold rolled sheet piles)



Section description	Product group	Shape	Section Modulus	Moment of Inertia	Width	Height	Thickness flange	Thickness web	Weight single	Weight	Coating 2 sides	Coating area
			in <sup>3</sup> /ft cm <sup>3</sup> /m	in <sup>4</sup> /ft cm <sup>4</sup> /m	inch mm	inch mm	inch mm	inch mm	lbs/ft kg/m	lbs/ft <sup>2</sup> kg/m <sup>2</sup>	ft <sup>2</sup> /ft m <sup>2</sup> /m	ft <sup>2</sup> /ft m <sup>2</sup> /m
SCZ 17N	Cold rolled sheet piles	Z	16.9	84.4	28.50	10.00	0.295	0.295	40.0	16.85	6.10	1.28
			907	11,519	724	254	7.5	7.5	59.56	25.07	1.86	1.28

Production acc. ASTM standards or EN10249 1&2 in varies steel grades

Origin: USA

Datasheet for estimation and comparison purposes