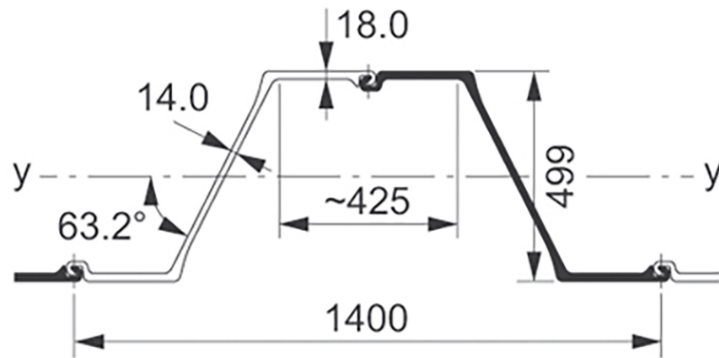




## AZ 42-700N (Hot rolled sheet piles)



Section description	Product group	Shape	Section Modulus	Moment of Inertia	Width	Height	Thickness flange	Thickness web	Weight single	Weight	Coating 2 sides	Coating area
			in <sup>3</sup> /ft cm <sup>3</sup> /m	in <sup>4</sup> /ft cm <sup>4</sup> /m	inch mm	inch mm	inch mm	inch mm	lbs/ft kg/m	lbs/ft <sup>2</sup> kg/m <sup>2</sup>	ft <sup>2</sup> /ft m <sup>2</sup> /m	ft <sup>2</sup> /ft m <sup>2</sup> /m
AZ 42-700N	Hot rolled sheet piles	Z	78.2	768.4	27.56	19.65	0.709	0.551	95.5	41.59	6.75	1.47
			4,204	104,931	700	499	18.0	14.0	142.12	61.89	2.06	1.47

Production acc. EN10248 1&2 in varies steel grades  
 Origin: Luxembourg  
 Datasheet for estimation and comparison purposes