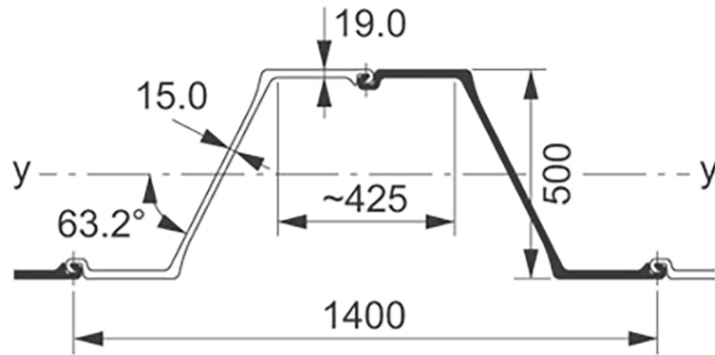




AZ 44-700N (Hot rolled sheet piles)



| Section description | Product group | Shape | Section Modulus | Moment of Inertia | Width | Height | Thickness flange | Thickness web | Weight single | Weight | Coating 2 sides | Coating area |
|---------------------|------------------------|-------|---|---|------------|------------|------------------|---------------|----------------|--|--|--|
| | | | in ³ /ft cm ³ /m | in ⁴ /ft cm ⁴ /m | inch mm | inch mm | inch mm | inch mm | lbs/ft kg/m | lbs/ft ² kg/m ² | ft ² /ft m ² /m | ft ² /ft m ² /m |
| AZ 44-700N | Hot rolled sheet piles | Z | 81.9 | 806.6 | 27.56 | 19.69 | 0.748 | 0.591 | 100.7 | 43.86 | 6.75 | 1.47 |
| | | | 4,403 | 110,148 | 700 | 500 | 19.0 | 15.0 | 149.90 | 65.26 | 2.06 | 1.47 |

Production acc. EN10248 1&2 in varies steel grades
 Origin: Luxembourg
 Datasheet for estimation and comparison purposes