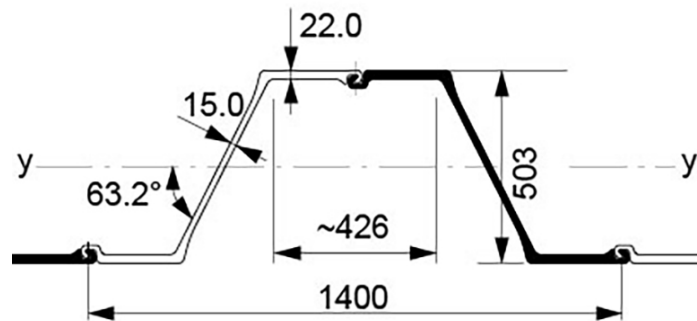




AZ 48-700 (Hot rolled sheet piles)



Section description	Product group	Shape	Section Modulus	Moment of Inertia	Width	Height	Thickness		Weight single	Weight	Coating 2 sides	Coating area
			in ³ /ft cm ³ /m	in ⁴ /ft cm ⁴ /m			inch mm	inch mm				
AZ 48-700	Hot rolled sheet piles	Z	88.4	876.2	27.56	19.80	0.866	0.591	106.5	46.37	6.70	1.46
			4,753	119,652	700	503	22.0	15.0	158.46	69.00	2.05	1.46

Production acc. EN10248 1&2 in varies steel grades
 Origin: Luxembourg
 Datasheet for estimation and comparison purposes