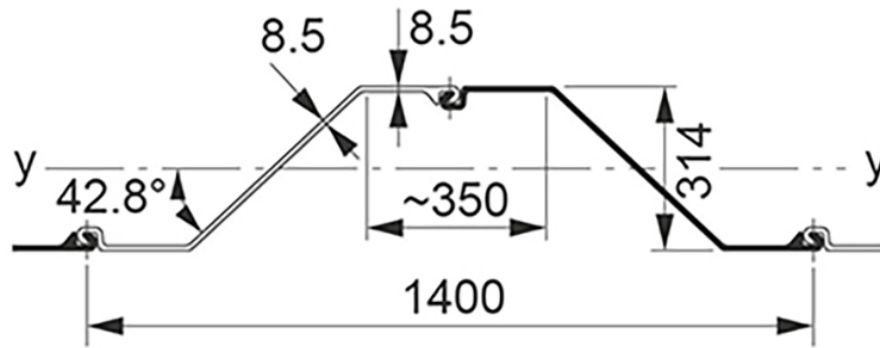




AZ12-700 (Hot rolled sheet piles)



| Section description | Product group | Shape | Section Modulus | Moment of Inertia | Width | Height | Thickness flange | Thickness web | Weight single | Weight | Coating 2 sides | Coating area |
|---------------------|------------------------|-------|---|---|------------|------------|------------------|---------------|----------------|--|--|--|
| | | | in ³ /ft cm ³ /m | in ⁴ /ft cm ⁴ /m | inch mm | inch mm | inch mm | inch mm | lbs/ft kg/m | lbs/ft ² kg/m ² | ft ² /ft m ² /m | ft ² /ft m ² /m |
| AZ12-700 | Hot rolled sheet piles | Z | 22.4 | 138.3 | 27.56 | 12.36 | 0.335 | 0.335 | 45.5 | 19.81 | 5.59 | 1.22 |
| | | | 1,204 | 18,886 | 700 | 314 | 8.5 | 8.5 | 67.69 | 29.48 | 1.71 | 1.22 |

Production acc. EN10248 1&2 in varies steel grades
Origin: Luxembourg
Datasheet for estimation and comparison purposes