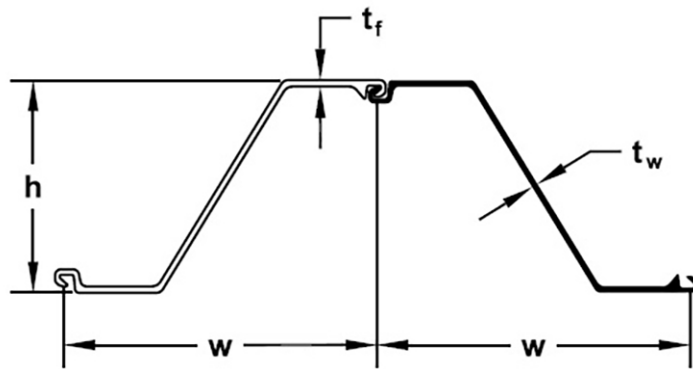




AZ14 (Hot rolled sheet piles)



Section description	Product group	Shape	Section Modulus	Moment of Inertia	Width	Height	Thickness		Weight single	Weight	Coating 2 sides	Coating area
			in ³ /ft cm ³ /m	in ⁴ /ft cm ⁴ /m	inch mm	inch mm	inch mm	inch mm				
AZ14	Hot rolled sheet piles	Z	26.0	156.0	26.38	11.97	0.413	0.413	52.6	23.94		
			1,400	21,300	670	304	10.5	10.5	78.30	35.62		

Production acc. EN10248 1&2 in varies steel grades
 Origin: Luxembourg
 Datasheet for estimation and comparison purposes