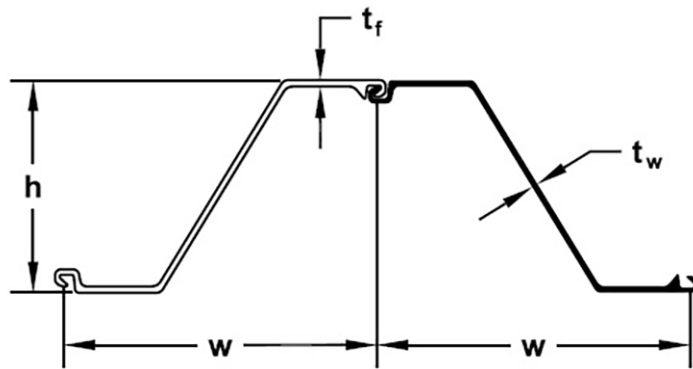




AZ18 10/10 (Hot rolled sheet piles)



Section description	Product group	Shape	Section Modulus	Moment of Inertia	Width	Height	Thickness		Weight single	Weight	Coating 2 sides	Coating area
			in ³ /ft cm ³ /m	in ⁴ /ft cm ⁴ /m	inch mm	inch mm	inch mm	inch mm				
AZ18 10/10	Hot rolled sheet piles	Z	34.8	260.3	24.80	15.00	0.394	0.394	52.3	25.30	5.63	1.37
			1,870	35,541	630	381	10.0	10.0	77.79	37.65	1.72	1.37

Production acc. EN10248 1&2 in varies steel grades
 Origin: Luxembourg
 Datasheet for estimation and comparison purposes