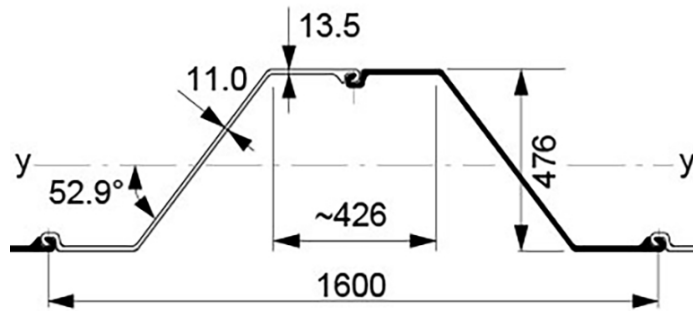




## AZ27-800 (Hot rolled sheet piles)



Section description	Product group	Shape	Section Modulus	Moment of Inertia	Width	Height	Thickness flange	Thickness web	Weight single	Weight	Coating 2 sides	Coating area
			in <sup>3</sup> /ft cm <sup>3</sup> /m	in <sup>4</sup> /ft cm <sup>4</sup> /m	inch mm	inch mm	inch mm	inch mm	lbs/ft kg/m	lbs/ft <sup>2</sup> kg/m <sup>2</sup>	ft <sup>2</sup> /ft m <sup>2</sup> /m	ft <sup>2</sup> /ft m <sup>2</sup> /m
AZ27-800	Hot rolled sheet piles	Z	49.7	465.5	31.50	18.74	0.531	0.433	74.3	28.29	6.94	1.32
			2,672	63,568	800	476	13.5	11.0	110.50	42.10	2.12	1.32

Production acc. EN10248 1&2 in varies steel grades  
 Origin: Luxembourg  
 Datasheet for estimation and comparison purposes