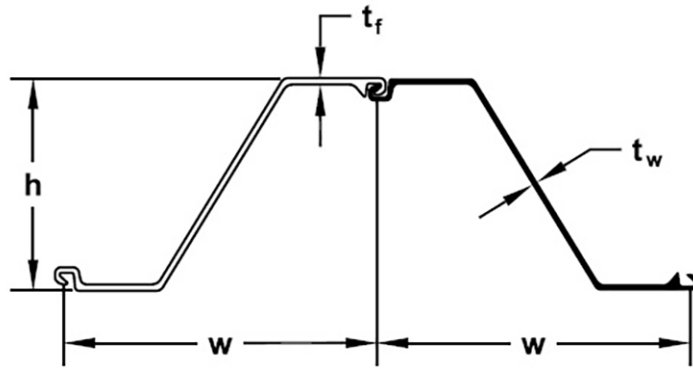




ESZ17-700 (Hot rolled sheet piles)



Section description	Product group	Shape	Section Modulus	Moment of Inertia	Width	Height	Thickness		Weight single	Weight	Coating 2 sides	Coating area
			in ³ /ft cm ³ /m	in ⁴ /ft cm ⁴ /m			inch mm	inch mm				
ESZ17-700	Hot rolled sheet piles	Z	32.3	266.3	27.56	16.54	0.335	0.335	49.7	21.65	6.02	1.31
			1,735	36,360	700	420	8.5	8.5	74.00	32.22	1.84	1.31

Exclusive US Distributor

available for sale and rent
from stock and mill direct
Production acc. EN10248 1&2 in grades 50, 60, 65, A690
Origin: UAE