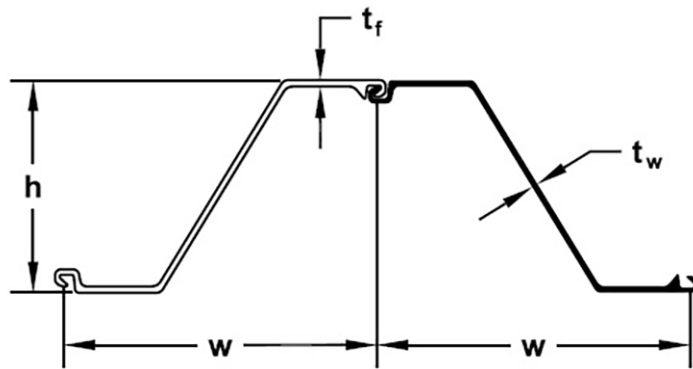




ESZ19-700 10/10 (Hot rolled sheet piles)



Section description	Product group	Shape	Section Modulus	Moment of Inertia	Width	Height	Thickness		Weight single	Weight	Coating 2 sides	Coating area
			in ³ /ft cm ³ /m	in ⁴ /ft cm ⁴ /m			flange	web				
ESZ19-700 10/10	Hot rolled sheet piles	Z	36.1	299.2	27.56	16.57	0.394	0.394	56.5	24.61	6.02	1.31
			1,940	40,860	700	421	10.0	10.0	84.10	36.62	1.84	1.31

Exclusive US Distributor

available for sale and rent
from stock and mill direct
Production acc. EN10248 1&2 in grades 50, 60, 65, A690
Origin: UAE