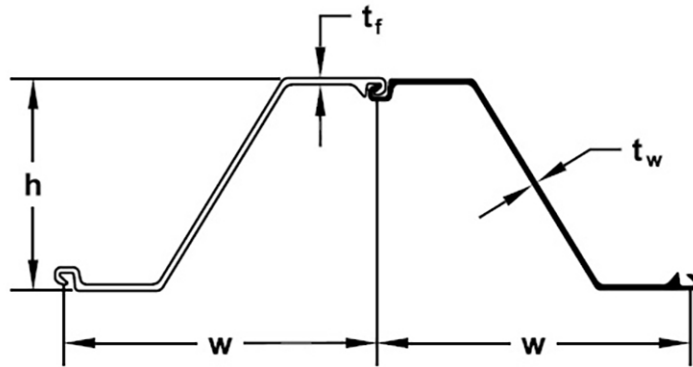




## ESZ24-700 (Hot rolled sheet piles)



Section description	Product group	Shape	Section Modulus	Moment of Inertia	Width	Height	Thickness flange	Thickness web	Weight single	Weight	Coating 2 sides	Coating area
			in <sup>3</sup> /ft cm <sup>3</sup> /m	in <sup>4</sup> /ft cm <sup>4</sup> /m	inch mm	inch mm	inch mm	inch mm	lbs/ft kg/m	lbs/ft <sup>2</sup> kg/m <sup>2</sup>	ft <sup>2</sup> /ft m <sup>2</sup> /m	ft <sup>2</sup> /ft m <sup>2</sup> /m
ESZ24-700	Hot rolled sheet piles	Z	45.3	409.1	27.56	18.11	0.472	0.354	60.2	26.19	6.61	1.44
			2,435	55,870	700	460	12.0	9.0	89.50	38.97	2.02	1.44

### Exclusive US Distributor

available for sale and rent  
from stock and mill direct  
Production acc. EN10248 1&2 in grades 50, 60, 65, A690  
Origin: UAE