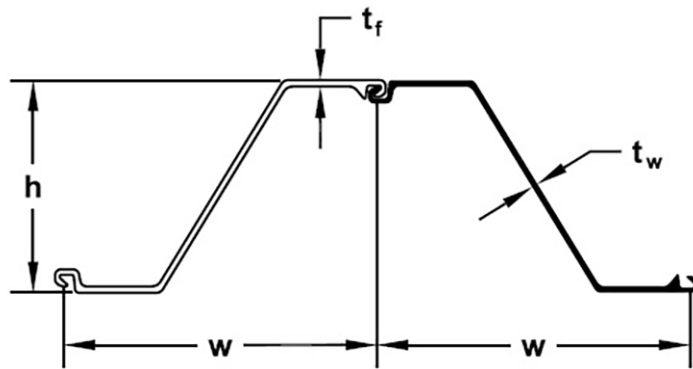




H1807 (Hot rolled sheet piles)



Section description	Product group	Shape	Section Modulus	Moment of Inertia	Width	Height	Thickness		Weight single	Weight	Coating 2 sides	Coating area
			in ³ /ft cm ³ /m	in ⁴ /ft cm ⁴ /m			flange mm	web mm				
H1807	Hot rolled sheet piles	Z	33.5	276.8	27.56	16.54	0.354	0.362	51.4	22.38	6.30	1.37
			1,801	37,799	700	420	9.0	9.2	76.48	33.30	1.93	1.37

Production discontinued

Production acc. ASTM standards or EN10248 1&2 in varies steel grades

Origin: Germany

Datasheet for estimation and comparison purposes