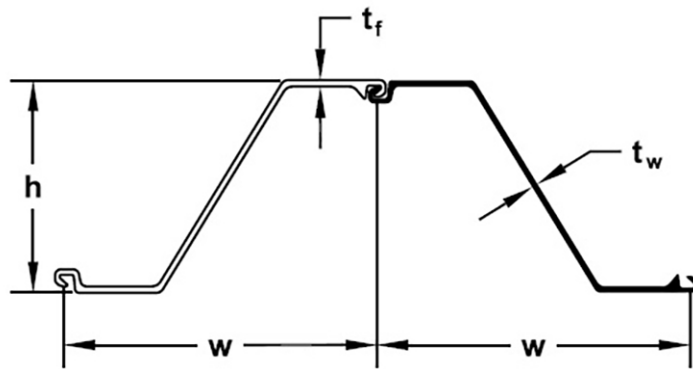




## H2407 (Hot rolled sheet piles)



Section description	Product group	Shape	Section Modulus	Moment of Inertia	Width	Height	Thickness		Weight single	Weight	Coating 2 sides	Coating area
			in <sup>3</sup> /ft cm <sup>3</sup> /m	in <sup>4</sup> /ft cm <sup>4</sup> /m			flange	web				
H2407	Hot rolled sheet piles	Z	45.8	330.0	27.56	17.32	0.433	0.433	64.2	27.95	6.62	1.44
			2,462	45,064	700	440	11.0	11.0	95.53	41.59	2.02	1.44

### Production discontinued

Production acc. ASTM standards or EN10248 1&2 in varies steel grades

Origin: Germany

Datasheet for estimation and comparison purposes