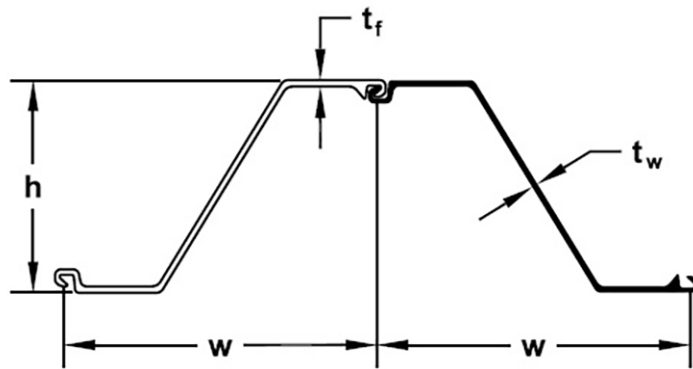




H3607 (Hot rolled sheet piles)



Section description	Product group	Shape	Section Modulus	Moment of Inertia	Width	Height	Thickness		Weight single	Weight	Coating 2 sides	Coating area
			in ³ /ft cm ³ /m	in ⁴ /ft cm ⁴ /m			flange inch mm	web inch mm				
H3607	Hot rolled sheet piles	Z	67.0	659.1	27.56	19.69	0.425	0.661	78.8	34.31	6.89	1.50
			3,602	90,005	700	500	10.8	16.8	117.25	51.05	2.11	1.50

Production discontinued

Production acc. ASTM standards or EN10248 1&2 in varies steel grades

Origin: Germany

Datasheet for estimation and comparison purposes