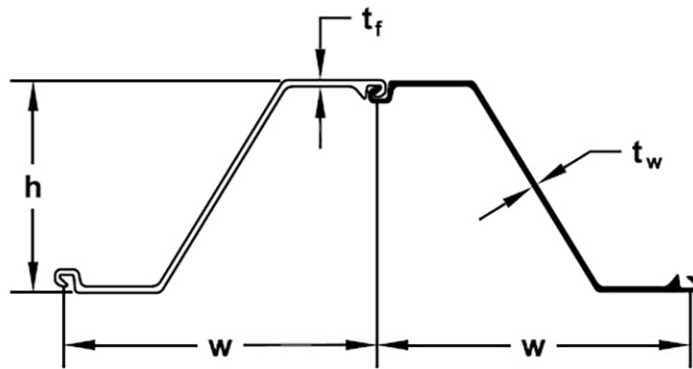




H3907 (Hot rolled sheet piles)



Section description	Product group	Shape	Section Modulus	Moment of Inertia	Width	Height	Thickness		Weight single	Weight	Coating 2 sides	Coating area
			in ³ /ft cm ³ /m	in ⁴ /ft cm ⁴ /m			flange web	inch mm				
H3907	Hot rolled sheet piles	Z	73.0	718.6	27.56	19.69	0.500	0.736	87.8	38.23	6.89	1.50
			3,925	98,131	700	500	12.7	18.7	130.65	56.89	2.11	1.50

Production discontinued

Production acc. ASTM standards or EN10248 1&2 in varies steel grades

Origin: Germany

Datasheet for estimation and comparison purposes