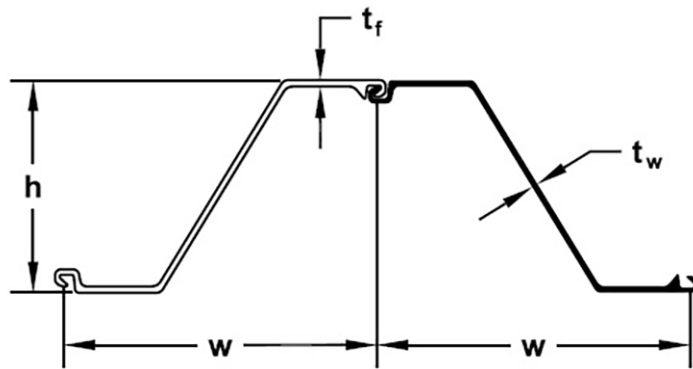




NZ19 (Hot rolled sheet piles)



Section description	Product group	Shape	Section Modulus	Moment of Inertia	Width	Height	Thickness		Weight single	Weight	Coating 2 sides	Coating area
			in ³ /ft cm ³ /m	in ⁴ /ft cm ⁴ /m	inch mm	inch mm	inch mm	inch mm	lbs/ft kg/m	lbs/ft ² kg/m ²	ft ² /ft m ² /m	ft ² /ft m ² /m
NZ19	Hot rolled sheet piles	Z	35.1	283.1	27.56	16.14	0.374	0.374	55.0	23.95	6.15	1.34
			1,886	38,660	700	410	9.5	9.5	81.85	35.64	1.88	1.34

Production acc. ASTM standard or EN10248 1&2 in varies steel grades

Origin: USA

Datasheet for estimation and comparison purposes