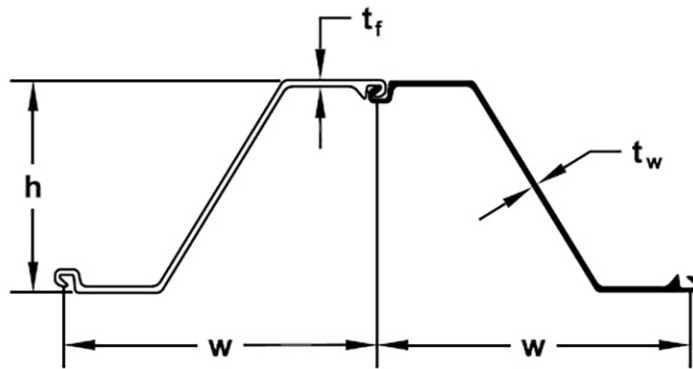




## NZ28 (Hot rolled sheet piles)



Section description	Product group	Shape	Section Modulus	Moment of Inertia	Width	Height	Thickness flange	Thickness web	Weight single	Weight	Coating 2 sides	Coating area
			in <sup>3</sup> /ft cm <sup>3</sup> /m	in <sup>4</sup> /ft cm <sup>4</sup> /m	inch mm	inch mm	inch mm	inch mm	lbs/ft kg/m	lbs/ft <sup>2</sup> kg/m <sup>2</sup>	ft <sup>2</sup> /ft m <sup>2</sup> /m	ft <sup>2</sup> /ft m <sup>2</sup> /m
NZ28	Hot rolled sheet piles	Z	52.6	457.4	27.56	17.36	0.559	0.559	78.5	34.18	6.48	1.41
			2,829	62,462	700	441	14.2	14.2	116.82	50.86	1.98	1.41

Production acc. ASTM standard or EN10248 1&2 in varies steel grades

Origin: USA

Datasheet for estimation and comparison purposes