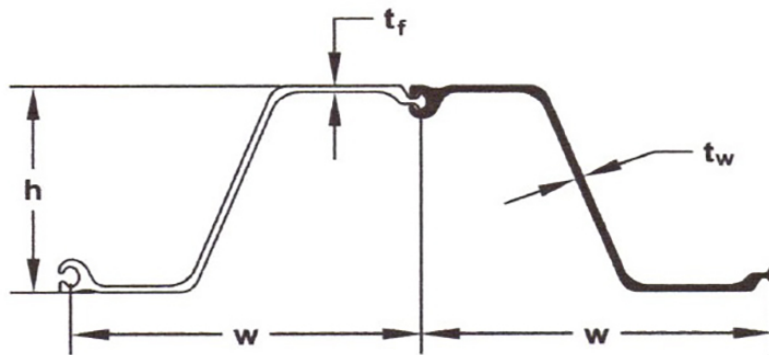




## PZ22 (Hot rolled sheet piles)



Section description	Product group	Shape	Section Modulus	Moment of Inertia	Width	Height	Thickness flange	Thickness web	Weight single	Weight	Coating 2 sides	Coating area
			in <sup>3</sup> /ft cm <sup>3</sup> /m	in <sup>4</sup> /ft cm <sup>4</sup> /m	inch mm	inch mm	inch mm	inch mm	lbs/ft kg/m	lbs/ft <sup>2</sup> kg/m <sup>2</sup>	ft <sup>2</sup> /ft m <sup>2</sup> /m	ft <sup>2</sup> /ft m <sup>2</sup> /m
PZ22	Hot rolled sheet piles	Z	18.1	84.4	22.00	9.00	0.375	0.375	40.3	21.98	4.48	1.22
			973	11,523	559	229	9.5	9.5	59.97	32.71	1.37	1.22

Production acc. ASTM standard or EN10248 1&2 in varies steel grades

Origin: USA

Datasheet for estimation and comparison purposes