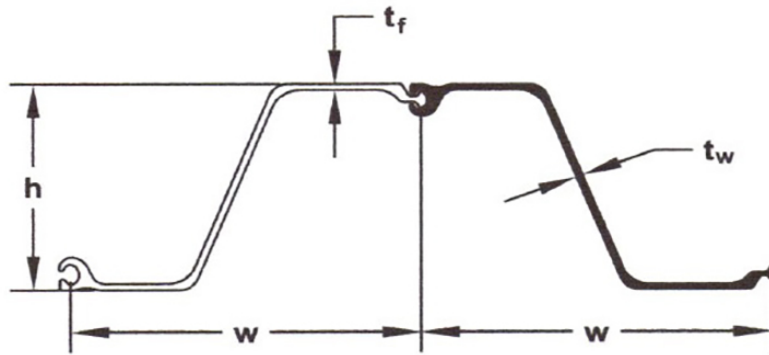




## PZ40 (Hot rolled sheet piles)



Section description	Product group	Shape	Section Modulus	Moment of Inertia	Width	Height	Thickness		Weight single	Weight	Coating 2 sides	Coating area
			in <sup>3</sup> /ft cm <sup>3</sup> /m	in <sup>4</sup> /ft cm <sup>4</sup> /m	inch mm	inch mm	inch mm	inch mm				
PZ40	Hot rolled sheet piles	Z	60.7	490.9	19.70	16.10	0.600	0.500	65.6	39.96	5.37	1.63
			3,263	67,029	500	409	15.2	12.7	97.61	59.46	1.64	1.63

Production acc. ASTM standard or EN10248 1&2 in varies steel grades

Origin: USA

Datasheet for estimation and comparison purposes