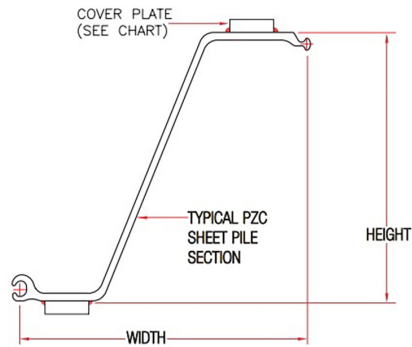




## PZC38 CP (Hot rolled sheet piles)



Section description	Product group	Shape	Section Modulus	Moment of Inertia	Width	Height	Thickness flange	Thickness web	Weight single	Weight	Coating 2 sides	Coating area
			in <sup>3</sup> /ft cm <sup>3</sup> /m	in <sup>4</sup> /ft cm <sup>4</sup> /m	inch mm	inch mm	inch mm	inch mm	lbs/ft kg/m	lbs/ft <sup>2</sup> kg/m <sup>2</sup>	ft <sup>2</sup> /ft m <sup>2</sup> /m	ft <sup>2</sup> /ft m <sup>2</sup> /m
PZC38 CP	Hot rolled sheet piles	Z	86.0	947.8	22.50	21.05	0.525	0.600	84.2	44.91	6.32	1.68
			4,624	129,430	572	535	13.3	15.2	125.29	66.83	1.93	1.68

### PZC26 with cover plates

Datasheet for estimation and comparison purposes  
 Production acc. ASTM standard or EN10248 1&2 in varies steel grades  
 Origin: USA