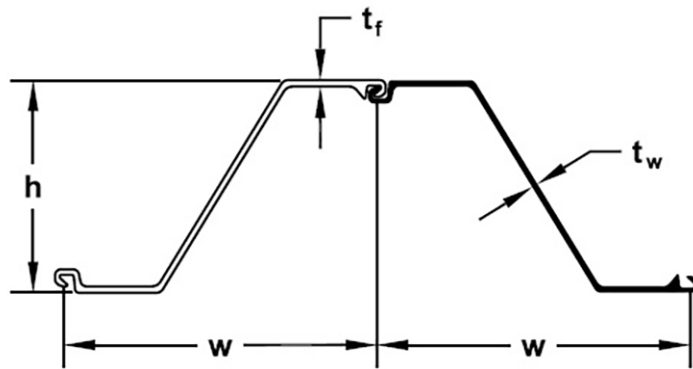




## ZZ20-700 (Hot rolled sheet piles)



Section description	Product group	Shape	Section Modulus	Moment of Inertia	Width	Height	Thickness		Weight single	Weight	Coating 2 sides	Coating area
			in <sup>3</sup> /ft cm <sup>3</sup> /m	in <sup>4</sup> /ft cm <sup>4</sup> /m	inch mm	inch mm	inch mm	inch mm	lbs/ft kg/m	lbs/ft <sup>2</sup> kg/m <sup>2</sup>	ft <sup>2</sup> /ft m <sup>2</sup> /m	ft <sup>2</sup> /ft m <sup>2</sup> /m
ZZ20-700	Hot rolled sheet piles	Z	36.3	301.4	27.56	16.59	0.398	0.394	56.2	24.48	6.47	1.41
			1,952	41,159	700	421	10.1	10.0	83.66	36.43	1.98	1.41

Production acc. ASTM standards or EN10248 1&2 in varies steel grades

Origin: China

Datasheet for estimation and comparison purposes