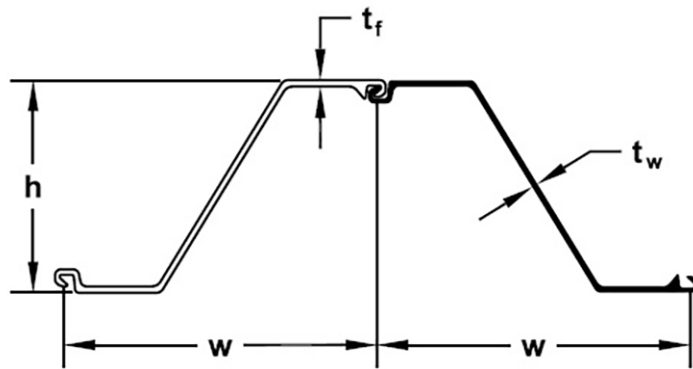




ZZ28-700 (Hot rolled sheet piles)



Section description	Product group	Shape	Section Modulus	Moment of Inertia	Width	Height	Thickness		Weight single	Weight	Coating 2 sides	Coating area
			in ³ /ft cm ³ /m	in ⁴ /ft cm ⁴ /m	inch mm	inch mm	inch mm	inch mm	lbs/ft kg/m	lbs/ft ² kg/m ²	ft ² /ft m ² /m	ft ² /ft m ² /m
ZZ28-700	Hot rolled sheet piles	Z	51.4	466.8	27.56	18.16	0.524	0.520	74.0	32.23	6.72	1.46
			2,763	63,745	700	461	13.3	13.2	110.14	47.96	2.05	1.46

Production acc. ASTM standards or EN10248 1&2 in varies steel grades

Origin: China

Datasheet for estimation and comparison purposes