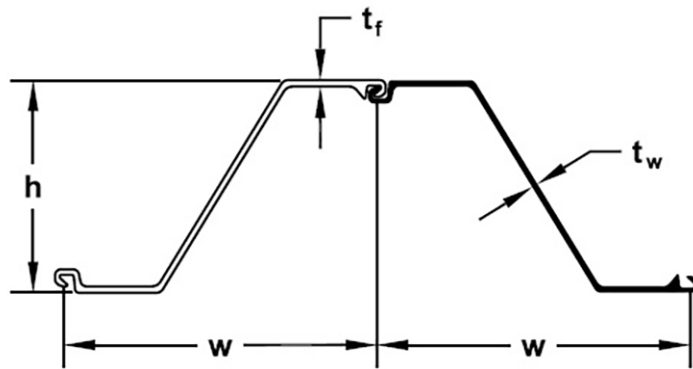




ZZ46-700 (Hot rolled sheet piles)



Section description	Product group	Shape	Section Modulus	Moment of Inertia	Width	Height	Thickness		Weight single	Weight	Coating 2 sides	Coating area
			in ³ /ft cm ³ /m	in ⁴ /ft cm ⁴ /m			flange mm	web mm				
ZZ46-700	Hot rolled sheet piles	Z	86.2	850.6	27.56	19.73	0.791	0.630	106.5	46.38	7.11	1.55
			4,634	116,156	700	501	20.1	16.0	158.52	69.01	2.17	1.55

Production acc. ASTM standards or EN10248 1&2 in varies steel grades

Origin: China

Datasheet for estimation and comparison purposes