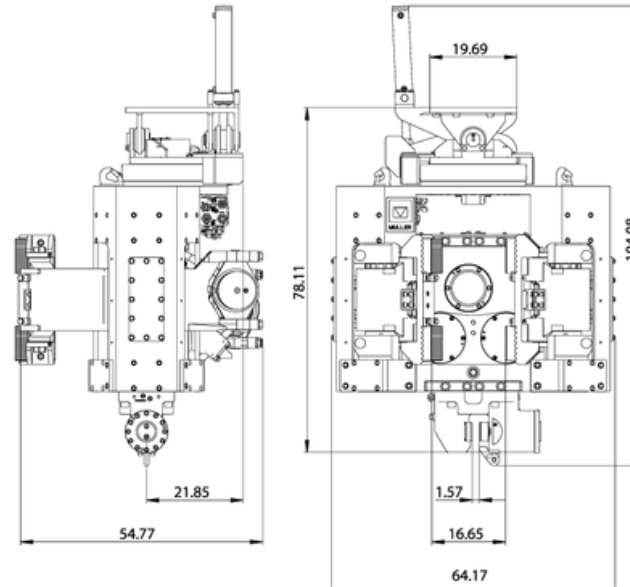


## MS-6 HFBV SGX



Centrifugal force F (max.)	Eccentric moment M stat (max.)	Frequency f (max.)	Speed n (max.)	Pulling force F pull (max.)	Pushing force F push (max.)	Weight total incl. lower clamping device	Weight dynamic incl. lower clamping device	Amplitude incl. lower clamping device	Power consumption p (max.)	Required oil flow Q motor (max.)	Operation pressure p (max.)	Dimensions Length L	Dimensions Width B	Dimensions Height H	Standard clamping device	Special clamping device	Side clamping device for beams and planks	Rec. excavator class Weight	Rec. excavator class P
48 US Tons (480 kN)	0.0-520.56 In-lbs (0-6 kgm)	45 Hz	2,700 min-1	15 US Tons (150 kN)	15 US Tons (150 kN)	7,902.4 LBS (3,592 kg)	4,884 LBS (2,220 kg)	0.244 In (6.1 mm)	168.84 HP (126 kW)	56.16 gal/min (216 l/min)	5,075 PSI (350 bar)	65.2 In (1,630 mm)	55.64 In (1,391 mm)	79.36 In (1,984 mm)	60/72	60/72 K	43 SG	30.86 US Tons (28 t)	214.4 HP (160 kW)