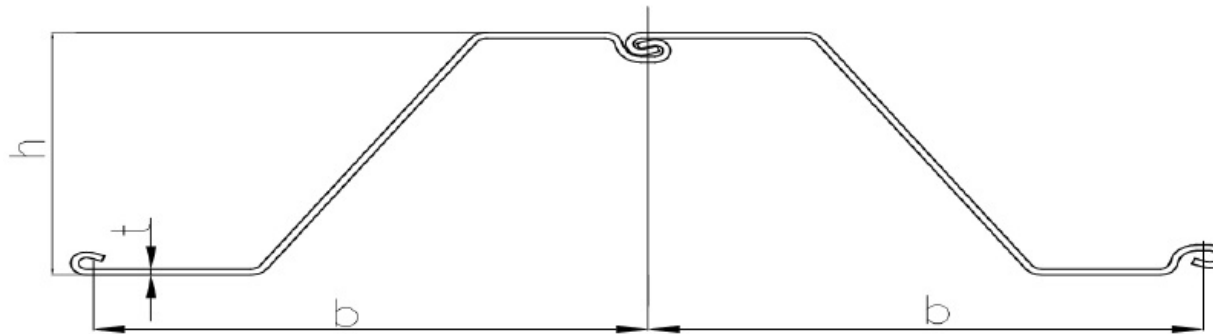




SCZ 18N (Cold rolled sheet piles)



Section description	Product group	Shape	Section Modulus	Moment of Inertia	Width	Height	Thickness flange	Thickness web	Weight single	Weight	Coating 2 sides	Coating area
			in ³ /ft cm ³ /m	in ⁴ /ft cm ⁴ /m	inch mm	inch mm	inch mm	inch mm	lbs/ft kg/m	lbs/ft ² kg/m ²	ft ² /ft m ² /m	ft ² /ft m ² /m
SCZ 18N	Cold rolled sheet piles	Z	18.1	90.5	28.50	10.00	0.317	0.317	42.9	18.08	6.10	1.28
			973	12,356	724	254	8.1	8.1	63.89	26.90	1.86	1.28

Production acc. ASTM standards or EN10249 1&2 in varies steel grades

Origin: USA

Datasheet for estimation and comparison purposes