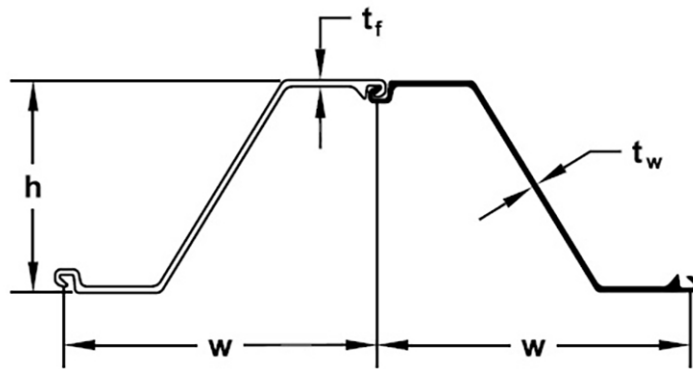




## H2607 (Hot rolled sheet piles)



| Section description | Product group          | Shape | Section Modulus                           | Moment of Inertia                         | Width | Height | Thickness    |           | Weight single | Weight | Coating 2 sides | Coating area |
|---------------------|------------------------|-------|-------------------------------------------|-------------------------------------------|-------|--------|--------------|-----------|---------------|--------|-----------------|--------------|
|                     |                        |       | in <sup>3</sup> /ft<br>cm <sup>3</sup> /m | in <sup>4</sup> /ft<br>cm <sup>4</sup> /m |       |        | flange<br>mm | web<br>mm |               |        |                 |              |
| H2607               | Hot rolled sheet piles | Z     | 48.4                                      | 418.9                                     | 27.56 | 17.32  | 0.472        | 0.472     | 68.7          | 29.91  | 6.62            | 1.44         |
|                     |                        |       | 2,602                                     | 57,204                                    | 700   | 440    | 12.0         | 12.0      | 102.23        | 44.51  | 2.02            | 1.44         |

### Production discontinued

Production acc. ASTM standards or EN10248 1&2 in varies steel grades

Origin: Germany

Datasheet for estimation and comparison purposes